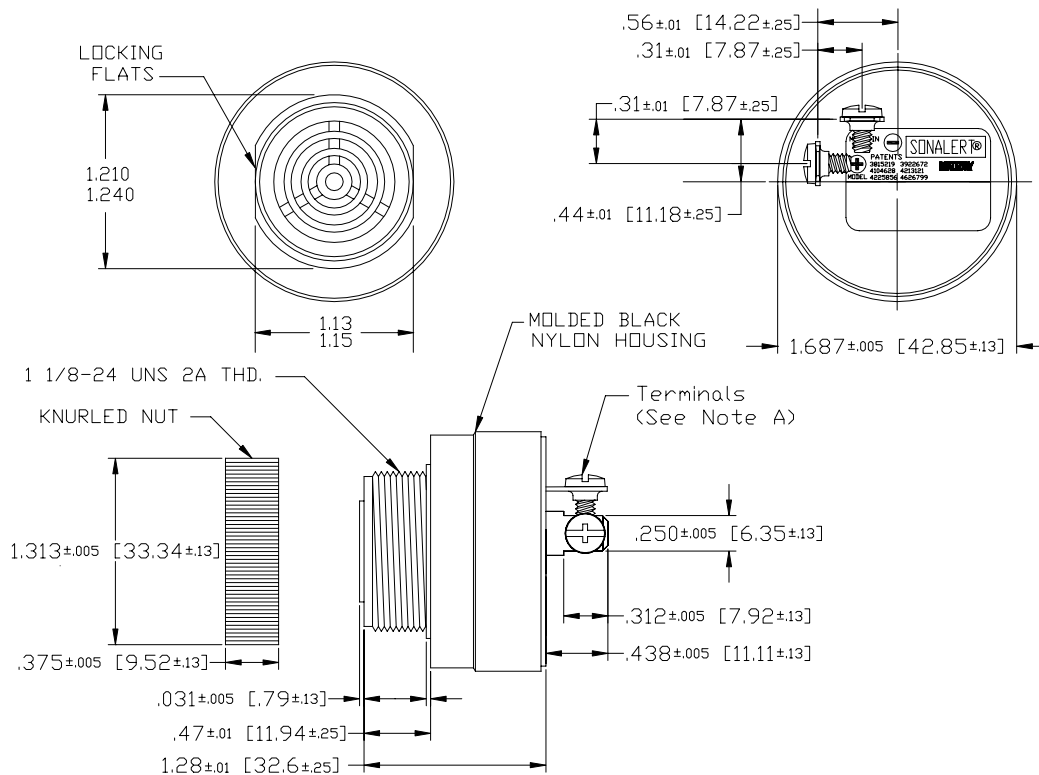


**Specifications:**

|                         |                                   |
|-------------------------|-----------------------------------|
| Sound level Category    | Medium Sound Level                |
| Mode of Operation       | Fast Pulse                        |
| Mounting                | Panel (see note B)                |
| Voltage Rating          | 6 to 16 Vdc                       |
| Frequency               | 2900 Hz ±500 Hz                   |
| Loudness (Min. Voltage) | 68 dB(A) min. @ 2 FT and 6 Vdc    |
| Loudness (Max Voltage)  | 78 dB(A) min. @ 2 FT and 16 Vdc   |
| Current Draw            | 2 mA Max @ 6 Vdc                  |
| Current Draw            | 9 mA Max @ 16 Vdc                 |
| Min Pulse Rate (PPS)    | 2 @ 6 Vdc                         |
| Max Pulse Rate (PPS)    | 10 @ 16 Vdc                       |
| Duty Cycle (%)          | 50 (Approx)                       |
| Storage Temperature     | -40°C to +85°C                    |
| Operating Temperature   | -30°C to +65°C                    |
| Weight (Typical)        | 1.5 oz (42 g)                     |
| Housing                 | 6/6 Nylon, and Color Black        |
| Options                 | For other options contact factory |

**Dimensions:** Inches (mm)



NOTE A: TERMINALS-.032 BRASS TIN PLATED, TAPPED FOR #6-32 SCREW. TWO #6-32 NICKEL PLATED BRASS SCREWS INCLUDED. WILL ACCEPT 1/4" QUICK CONNECT.

NOTE B: MOUNTING- REMOVE BLACK PLASTIC NUT AND INSERT THREADED FRONT THROUGH 1.25" HOLE PUNCHED IN PANEL, IF ORIENTATION IS NEEDED, NOTE LOCKING FLATS ON DRAWING. SCREW NUT BACK ON. DO NOT OVERTIGHTEN.